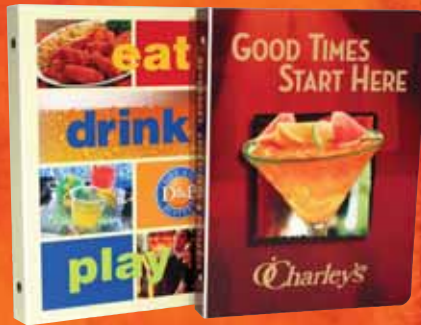


2011

ASI: 78952



Idea Book



Material Stock Colors

Polyethylene

Matte/Matte Finish



Polypropylene

Clear Frosted Finishes



Recycled Polyethylene

Matte/Matte Finish



(*New colors)

(Colors may vary depending on recycled content)

Basic interpretation of sheet colors created from 4-color process printing. For true color samples, contact sales representative.

Product Icons

These icons, appearing throughout the catalog, will provide you with additional information for the products displayed on the pages to follow. The descriptions below explain what each icon represents as it appears by each product.



Recycled Milk Jug Material

This icon informs you that the product can be manufactured using our 2nd Genesis™ recycled polyethylene material. Our 2nd Genesis™ material is made from reclaimed milk jugs. Material available in opaque or translucent stock colors as well as custom colors.



Designer Series™ Printed Products

When you see this icon you take advantage of our 4-color process offset printing for that product. Our Designer Series™ printing has low minimum quantities at an economical price.



Product Apps

Its not for your smartphone, but its a helpful icon that gives you ideas where to sell that product. When the icon appears on the page, we will offer suggested markets where you may have opportunity to sell to new prospects or existing customers.



Product Options

This icon plays to the strength of our company, that is the variety of options we can offer. Under this icon we will list several options that you can consider for that product.

Creative Gift Boxes

Outer packaging tends to be an afterthought, but why not consider a creative presentation box that will enhance the product inside?

Our strength is creative packaging and we have some great new ideas to show you.



Brief Box

The product looks like a brief case but designed for so many product applications.



Using recycled plastics just enhances the products marketability.



Product uses:

- Speciality Apparel
- Spa/Salon Gift Sets
- Student/Art Supplies
- Medical Literature/Samples



Materials: Polyethylene, Polypropylene, Recycled Polyethylene

Material colors: stock opaque, stock clears, custom PMS color match

Material thickness: 0.023 - 0.035 gauge

(thickness will be recommended based on box size)

Printing: Screen printing & offset printing (check size for printing options)

Tapered Gift Box

This unique shape adds accent to your packaged products. Easy assembly with an eloquent look.



Give this package an earthy friendly twist by using recycled plastics.



Product uses:

- Speciality Apparel
- Spa/Salon Gift Sets
- Speciality Foods



Materials: Polyethylene, Polypropylene, Recycled Polyethylene

Material colors: stock opaque, stock clears, custom PMS color match

Material thickness: 0.020-0.023 gauge

Printing: Screen printing & offset printing



This package design is the perfect size for 4CP offset graphics. Make a statement with 'DS' printing.

Creative Gift Boxes

Our creative outer packaging has no limits, except your imagination. With our creative packaging ideas, we can help increase your brand identity and your sales. Here are a few more great packaging ideas.



Wine Carrier

Make a traditional wine gift memorable, by using our unique wine carrier. The carrier keeps the bottom secure while enhancing the gift-giving experience.



Giving wine in a great package shows you care. Giving it in a 'Green' package shows you care about the environment.



Product uses:

- Private label wine makers
- Event Planners
- Contract Packagers



Materials: Polyethylene, Polypropylene, Recycled Polyethylene

Material colors: stock opaque, stock clears, custom PMS color match

Material thickness: 0.020-0.023 gauge

Printing: Screen printing

EverShape Gift Carrier

Whether its hearts or another geometric shape, these gift carriers enrich the product that's on the inside.



EverShape Gift Carrier + recycled plastics = A Great Idea!



This package design is the perfect size for 4CP offset graphics. Make a statement with 'DS' printing.



Product uses:

- Gourmet food retailers
- Cosmetic/Boutique shops
- Event Planning
- Party Supply stores



Materials: Polyethylene, Polypropylene, Recycled Polyethylene

Material colors: stock opaque, stock clears, custom PMS color match

Material thickness: 0.015 gauge

Printing: Screen printing & offset printing

Recipe/Organization Box

Organization does not have to be unattractive. Our organization boxes can be designed to look great while serving a functional purpose.

Product # 67676-3

250	500	1000	2500	5000
\$3.74	\$2.56	\$1.78	\$1.34	\$1.20 (p)

Pricing includes:

Stock size 7" x 5" x 2.25"

0.023 gauge 184 White Polyethylene

1 color screen imprint



ds Our stock size box can be printed using our economical 4CP Offset printing. Enhance the look with your next box order.

Product # 67676-1

250	500	1000	2500	5000
\$4.58	\$2.94	\$2.16	\$1.66	\$1.18 (p)

Pricing includes:

Stock size 7" x 5" x 2.25"

0.023 gauge 184 White Polyethylene

4CP Offset Printing - CMYK only



Go green using our milk jug material. Choose from our stock recycled material colors to give your box a great look and an environmental message.



Where to sell these boxes?

- Gourmet/Specialty Food Stores
- Nutritional/Vitamin Stores
- Veterinarian/Animal Clinics
- Retail Food stores (coupon storage)
- Recipe/Cookbook printers
- Home office index card storage
- Greeting card storage/filing



Materials: Polyethylene, Polypropylene & Recycled Polyethylene

Material colors: stock opaque, stock clears, custom PMS color match

Material thickness: 0.020 - 0.030 gauge (recommended for product type)

Sizes: Stock size 7" x 5" x 2.25"; Custom sizes available at 250 quantity

Printing: Screen printing & offset printing

Closure: Tuck and lock (standard) or Velcoin

Handles: Pop-thru or molded handle

Gift Boxes

Gifts for holidays, company promotions, special occasions or event planning all need a great package. We provide both simple and custom boxes to enhance your gift or promotional product.

Product # 104877-1

100	250	500	1000	2500	5000
\$6.32	\$3.44	\$2.40	\$1.74	\$1.32	\$1.18 (p)

Pricing includes:

Stock size 3" x 3" x 3" - Tuck-lock assembly

0.020 gauge Frosted Clear Polypropylene

1 color screen imprint



Are three smaller sizes can be printed with high-end 4CP offset graphics. Using our white polyethylene material combined with your photo-quality images would make a great presentation.



Go green using our milk jug material. Choose from our stock recycled material colors to give your box a great look and an environmental message.

Product # 104877-2

100	250	500	1000	2500	5000
\$6.20	\$3.40	\$2.34	\$1.60	\$1.18	\$1.04 (p)

Pricing includes:

Stock size 3" x 3" x 3" - Tuck-lock assemble

0.023 gauge Recycled Polyethylene stock colors

1 color screen imprint



Where to sell these boxes?

- Gourmet/Specialty Food Stores
- Boutique/Spa/Tanning Stores
- Cosmetic Distributors/Retailers (kits)
- Event Planning Coordinators
- Corporate Planning Events
- Health & Beauty product kits
- Chocolate & Candy manufacturers/shops (not for direct food contact)



Materials: Polyethylene, Polypropylene & Recycled Polyethylene

Material colors: stock opaque, stock clears, custom PMS color match

Material thickness: 0.015 - 0.030 gauge

(thickness will be recommended based on box size)

Material opacity: Polypropylene Promotion™ optically clear material

Sizes: Stock size 2" x 2" x 2"; 3" x 3" x 3"; 4.625" x 4" x 4"; 5.8125" x 5.8125" x 6"; Custom sizes available at 250 quantity

Printing: Screen printing & offset printing (check size for printing options)

Closure: Tuck and lock bow or ellipse (standard); custom tuck and lock closures available



Pillow Packs

Distinctive pillow shapes are perfect for everything from gifts to garments. The variety of shapes give you endless possibilities of making basic products look outstanding.



Where to sell pillow packs?

- Apparel Accessories retailers
- Cosmetic/Boutique shops
- Event/Retreat Planning
- Hotel Amenities kits
- Clothing retailers



Make a statement with recycled materials by including the recycled stamp - let them know of your Green initiative.

Product # 104898-2

100	250	500	1000	2500	5000
\$1.74	\$1.04	\$0.96	\$0.82	\$0.68	\$0.62 (p)

Pricing includes:
 Stock size 4.5" x 4.5" x 1.25" - Tuck-lock assembly
 0.015 gauge Frosted Clear Polypropylene
 No imprint

ds High-end 4CP offset graphics are available in some of the stock sizes. Enhanced graphics would give your message the added boost.

Product # 104898-3

250	500	1000	2500	5000
\$5.06	\$3.04	\$1.79	\$0.88	\$0.71 (p)

Pricing includes:
 Stock size 4.5" x 4.5" x 1.25" - Tuck-lock assembly
 0.015 gauge 184 White Polyethylene
 4CP Offset Printing - CMYK only

Materials: Polyethylene, Polypropylene & Recycled Polyethylene
Material colors: stock opaque, stock clears, custom PMS color match
Material thickness: 0.015 - 0.023 gauge

(thickness will be recommended based on size)

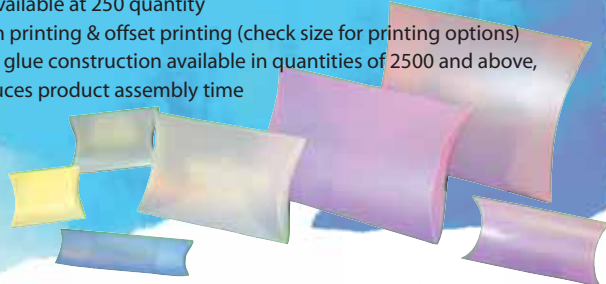
Stock Sizes:

3.25" x 3.25" x .9375"	4.5" x 4.5" x 1.25"
5.75" x 3.75" x 1.5"	7.5" x 6" x 1.5"
10" x 8" x 2"	10.5" x 9.625" x 1.5"

Custom sizes available at 250 quantity

Printing: Screen printing & offset printing (check size for printing options)

Assembly: Side glue construction available in quantities of 2500 and above, reduces product assembly time



Take Out Box

We have taken a traditional packaging style and created a new look that elevates it beyond ordinary. With our spin on a traditional shape and a newly developed plastic handle, we know this box has sell-appeal.



We have the advantage over the import take-out market, we can provide great graphic 4CP printing in small quantities.

Product # 90177-8

250	500	1000	2500	5000
\$4.86	\$3.44	\$2.72	\$2.28	\$2.14 (p)

Pricing includes:
 Stock size 4.25" x 4.25" x 3.4375" - Tuck-lock assembly (self assembly of box and handle)
 0.015 gauge 184 White Polyethylene
 4CP Offset Printing - CMYK only

Product # 90177-9

100	250	500	1000	2500	5000
\$4.10	\$2.90	\$2.40	\$2.16	\$2.04	\$1.96 (p)

Pricing includes:
 Stock size 4.25" x 4.25" x 3.4375" - Tuck-lock assembly (self assembly of box and handle)
 0.015 gauge Frosted Clear Polypropylene
 No imprint



Where to sell take-out boxes?

- Gourmet food retailers
- Cosmetic/Boutique shops
- Event Planning
- Party Supply stores
- Pet Treat retailers



Materials: Polyethylene, Polypropylene & Recycled Polyethylene
Material colors: stock opaque, stock clears, custom PMS color match
Material thickness: 0.015 - 0.023 gauge
 (thickness will be recommended based on size)

Stock Sizes: 2.6875" x 2.6875" x 2.1875" 3.625" x 3.625" x 2.9375"
 4.25" x 4.25" x 3.4375"

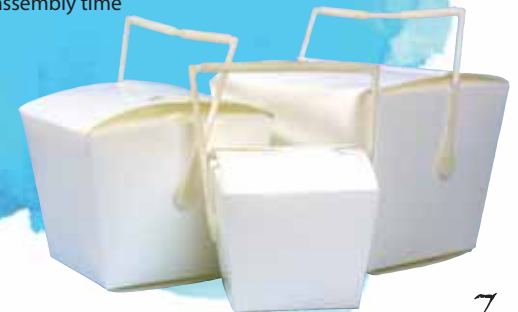
Custom sizes available at 250 quantity

Printing: Screen printing & offset printing

Assembly: Side glue construction available in quantities of 1000 and above, reduces product assembly time



Our take-out box is made of all plastic materials which can be easily recycled, including the handle. Ordering this product with our milk jug material will make it even more earth-friendly.



Tote Boxes

These standard boxes are some of the most popular sizes and styles for presentation packaging. These boxes make stunning presentations - the applications are numerous.



Where to sell these boxes?

- Realtor Customer home sale kits
- Healthcare benefits
- Employee orientation materials
- Student project storage
- Corporate Identity presentations
- Medical/Pharmaceutical literature kits
- Home office storage/filing



Product # 67533-1

100	250	500	1000	2500	5000
\$7.98	\$5.36	\$4.26	\$3.72	\$3.40	\$3.22 (p)

Pricing includes:

Stock size 12" x 9.75" x 1"

0.035 gauge Stock Color Polyethylene

1 color screen imprint



We have expanded our 4CP offset printing in a few of our popular box sizes. This option opens new opportunities to include high-end graphics at lower prices.

Product # 67533-10

500	1000	2500	5000
\$11.18	\$6.84	\$4.06	\$2.94 (p)

Pricing includes:

Stock size 12" x 9.75" x 1"

0.023 gauge 184 White Polyethylene

4CP Offset Printing - CMYK only



Our tote boxes can be sustainable in at least 2 ways: (1) it can be made from milk jug material and (2) when ordered flat, it reduces the number of shipping cartons and freight charges, saving fuel and resources.



Materials: Polyethylene, Polypropylene & Recycled Polyethylene

Material colors: stock opaque, stock clears, custom PMS color match

Material thickness: 0.020 - 0.055 gauge (thickness will be recommended based on size)

Sizes: Stock Sizes: Letter-12" x 9.75"; Legal - 15" x 9.75"; Portfolio - 12.125" x 10.625"

Custom sizes available at 250 quantity

Printing: Screen printing & offset printing

Capacities: 0.5" - 5" (common stock capacities available - ask your sales rep)

Closure: Tuck and lock (standard) or Velcro

Handles: Pop-thru or molded handle

Totefolio

These handy organizing tools are a combination file folder and carry tote. The two standard sizes allow you to have enough room to hold paperwork and hold it all together in a convenient tote.



Product # 104877-4

100	250	500	1000	2500	5000
\$4.52	\$3.20	\$2.78	\$2.54	\$2.42	\$2.29 (p)

Pricing includes:

Stock size 12" x 9.75" x 1.5" - Tuck-lock assembly

0.020 gauge Frosted Clear Polypropylene

No imprint



Simple packaging designs can still be enhanced with a 'green' message. Order a totefolio in our milk jug materials they are attractive and earth-friendly.

Product # 104877-5

100	250	500	1000	2500	5000
\$8.35	\$5.64	\$4.24	\$3.54	\$3.20	\$2.70 (p)

Pricing includes:

Stock size 12" x 9.75" x 1.5" - Tuck-lock assemble

0.023 gauge Recycled Polyethylene stock colors

1 color screen imprint



Where to sell these boxes?

- Realtor Customer home sales kits
- Healthcare benefits
- Employee orientation materials
- Student project storage
- Corporate Identity presentations
- Medical/Pharmaceutical literature kits
- Home office storage/filing



Materials: Polyethylene, Polypropylene & Recycled Polyethylene

Material colors: stock opaque, stock clears, custom PMS color match

Material thickness: 0.020 - 0.023 gauge

Sizes: Stock size 12" x 9.75" x 1.5"; 15.125" x 9.75" x 1.5"

Custom sizes available at 100 quantity

Printing: Screen printing & offset printing (check size for printing options)

Closure: Tuck and lock (standard)

Flap: Full flap standard, custom flap styles available

Handle: Pop-thru handle made from the material (standard);

Custom handles also available

Lunch/Knock-down Boxes

This box style has been around a long time, but it has so many applications. We continue to use a familiar style with our own twist that gives it uniqueness in the market place.



Our two smaller size boxes can take advantage of our Designer Series 4CP offset printing. Using photo-quality graphics can enhance these box styles to the next level. Using 'ds' printing is only available in 0.023 gauge polyethylene.

Product # 67543-2

100	250	500	1000	2500	5000
\$8.22	\$5.26	\$4.02	\$3.32	\$2.96	\$2.66 (p)

Pricing includes:

Stock size 9" x 3.5" x 6" - Tuck-lock assembly

0.035 gauge Stock color Polyethylene

1 color imprint



The styles may be old, but they can be refreshed with a 'green' initiative. These boxes can be made with our recycled milk jug material.

Product # 67543-9

100	250	500	1000	2500	5000
\$8.18	\$5.32	\$4.06	\$3.34	\$2.98	\$2.72 (p)

Pricing includes:

Stock size 9" x 3.5" x 6" - Tuck-lock assembly

0.035 gauge Stock recycled color - PCR material

1 color imprint



Materials: Polyethylene, Polypropylene & Recycled Polyethylene

Material colors: stock opaque, stock clears, custom PMS color match

Material thickness: 0.020 - 0.035 gauge

(thickness will be recommended based on size)

Stock Sizes: 4" x 2" x 8" 9" x 3.5" x 6"

11.5" x 2" x 8"

Custom sizes available at 250 quantity

Printing: Screen printing & offset printing (check size for printing options)



Where to sell Lunch/KD boxes?

- Gourmet food retailers & speciality shops
- Student/Teacher supply kits
- Event Planning
- Party Supply stores
- Spa/Tanning salons
- Vitamin/Herbs speciality shops



Document Wallet™

What a great way to organize, protect and display your documents. This slim storage and organization wallet allows each pocket to unfold, then fold back together without creating a bulky file.



With Designer Series 4CP offset graphics, the document wallet makes a stunning presentation. Provides easy storage with a great look.

Product # 104962-1

500	1000	2500	5000
\$13.78	\$9.96	\$7.66	\$6.90 (p)

Pricing includes:

Sheet size 11" x 8.5"

0.015 gauge 184 White Polyethylene

4CP Offset Printing - CMYK only

Includes 5 internal pockets



The Document Wallet™ can take advantage of our recycled milk jug polyethylene material. Plus this product has so many uses beyond its original intent making it a very sustainable product.

Product # 104962-2

100	250	500	1000	2500	5000
\$11.42	\$8.94	\$7.80	\$7.18	\$6.84	\$6.76 (p)

Pricing includes:

Sheet size 11" x 8.5"

0.015 gauge recycled Polyethylene

1 color imprint

Includes 5 internal pockets



Where to sell Doc Wallets™?

- Legal offices
- Financial/Tax offices
- Medical/Healthcare firms
- Student organizers
- Sales Presentations



Materials: Polyethylene, Polypropylene & Recycled Polyethylene

Material colors: stock opaque, stock clears, custom PMS color match

Material thickness: 0.015 gauge

Stock Sizes: Holds all letter size documents: 12.25" x 9.125"

Closure: Elastic band closure. Black or white colored bands (standard)

Printing: Screen printing & offset printing

Pockets: 5 internal pockets (standard), accommodates letter size papers

Flip File™

The unique design of the Flip File™ features a fully functional file box which converts to a hanging file with ease. The Flip File™ system creates enhanced organization to filing, both on shelves, in file drawers, and on-the-go.



(A) Includes slots for hanging file tabs

(B) Patented box design features a push-through lever that allows the case to hang in a file drawer

(C) Envelope top flap fastens to keep contents secure

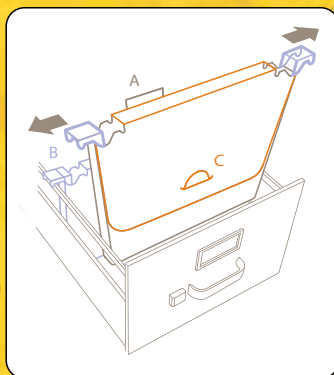
Materials: Polyethylene, Polypropylene & Recycled Polyethylene

Material colors: stock opaque & stock clears

Material thickness: 0.030 - 0.035 gauge

Stock Sizes: 11.75" x 9.75" x 0.5" or 1" (Letter size only)

Printing: Screen & offset printing (offset printing, white material only)



With Designer Series 4CP offset graphics, the Flip File™ becomes more than just a filing tool, it becomes a branded presentation.



Where to sell Flip File™?

- Financial/Tax record filing
- Kid's School Memories file system
- Home office filing system
- Real estate buyers document kit
- Healthcare/Medical documentation
- HR Employee records



The Flip File™ can be sustainable when its made from post-consumer polyethylene. Reusing those milk jugs is a great way to go Green.

Product # 98609-3

100	250	500	1000	2500	5000
\$11.76	\$7.80	\$6.24	\$5.18	\$4.84	\$4.48 (p)

Pricing includes:

Stock size 11.75" x 1" x 9.75"

0.035 gauge stock color recycled Polyethylene

1 color imprint

License Manufacturer of Flip File™ - Patent Pending, Fresh Brands™

Gusseted Envelope

The gusseted envelope has been around for many years, but has been limited to little or no decoration options. Now with our new outer wrap, we can give you a custom printed outside with a standard gusseted inside.



Where to sell these folders?

- Realtor Customer home sales kits
- Healthcare benefits
- Employee orientation materials
- Student project storage
- Corporate Identity presentations
- Medical/Pharmaceutical literature kits
- Home office storage/filing



Our design of this traditional folder system is to take advantage of our 'DS' 4CP offset printing capabilities. Now you get function and great looking graphics.

Product # 105105-1

250	500	1000	2500	5000
\$13.32	\$10.59	\$9.30	\$8.58	\$8.46 (p)

Pricing includes:

Stock size 13.125" x 9.0625" x 1.5"
0.020 gauge Polypropylene white
4CP offset printing - CMYK only



Materials: Polypropylene only

Material colors: stock white only

Material thickness: 0.020 gauge

Sizes: Stock size 13.125" x 9.0625" x 1.5"

Printing: Screen printing & offset printing

Closure: Elastic string available in white or black

Insert Sizes: 12.875" x 9.055" x 0.63"

Insert Configuration: 13 internal pockets with 12 tabs (2 banks of 6)
Each tab can be inserted with writable label



Conformer® Envelopes

There is nothing else like this patented envelope in the market place which gives you an automatic folder that expands to hold 1" of material. The Conformer® envelope is unique and versatile all in one product.



Where to sell Conformer®?

- Mail/Literature fulfillment
- Student/Teacher supply kits
- Corporate Branding
- Real estate buyers kit
- Healthcare/Medical documentation
- HR Employee kits



Product # 67558-1

100	200	500	1000	2500	5000
\$2.37	\$2.32	\$2.19	\$2.06	\$1.98	\$1.94 (p)

Pricing includes:

Stock size 10.75" x 12.75" expands to 1"
0.018 gauge clear frost Polypropylene
No imprint
Packed 100 per case



Materials: Polyethylene, Polypropylene & Recycled Polyethylene

Material colors: stock opaque, stock clears, custom PMS color match

Material thickness: 0.015 - 0.020 gauge

(thickness will be recommended based on size)

Stock Sizes: 9.75" x 12.25" 10.75" x 12.75" 10.75" x 15.75"

Custom sizes available at 250 quantity

Printing: Screen & offset printing (offset printing only at higher volumes)



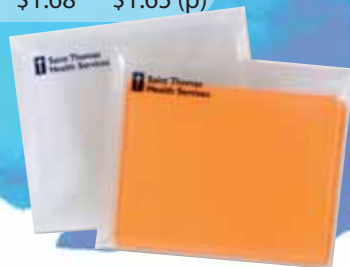
A strong emphasis for sustainability is how reusable is the product. The Conformer® has so many uses beyond its original intent.

Product # 67558-3

100	250	500	1000	2500	5000
\$2.01	\$1.97	\$1.85	\$1.75	\$1.68	\$1.65 (p)

Pricing includes:

Stock size 9.75" x 12.25" expands to 1"
0.015 gauge natural recycled
Polyethylene
No imprint
Packed 100 per case



Conformer® Envelope Patent Nos. 6227,444 & D452,267 S

Two Pocket Folders

A traditional document carrier is made unique by the enhancement of plastic materials. Make your documents stand out with a versatile poly two-pocket folder.



Product # 67552-1

100	250	500	1000	2500	5000
\$5.58	\$3.80	\$3.04	\$2.52	\$2.26	\$2.10 (p)

Pricing includes:

Sheet size 11" x 8.5" - Sonic welded pockets
0.023 gauge stock color polyethylene
1 color imprint



Materials: Polyethylene, Polypropylene & Recycled Polyethylene

Material colors: stock opaque, stock clears, custom PMS color match

Material thickness: 0.015 or 0.023 gauge

Stock Sheet Sizes: 11" x 8.5"

Printing: Screen printing & offset printing

Assembly: Glued pocket construction available in quantities of 1000 and above

Business Card slits or pockets can be added



You never know what will make an impression on a client with the materials you leave behind. Let them notice the recycled stamp on your presentation pocket folder - lets them know of your 'green' initiative.



Need photo quality graphics to enhance your document presentations? Using our white 0.015 or 0.023 gauge polyethylene, we can take stunning images and print them using our 4CP offset printing process. With great graphics on the outside your two pocket folder will make a great first impression.



Where to sell pocket folders?

- Corporate branding
- Student subject folders
- Event Planning
- Real estate customer packets
- Healthcare information kits

Binders

Attractive, durable and versatile, binders are an economical way to enhance a company's image. We offer a complete selection of standard configurations to make your project stand out, creating a great impression.



Materials: Polyethylene, Polypropylene & Recycled Polyethylene

Material colors: stock opaque, stock clears, custom PMS color match

Material thickness: 0.020 - 0.055 gauge (thickness will be recommended based on size)

Stock Sheet Sizes: 11" x 8.5"; 9" x 6" & 8.5" x 5.5" (custom sizes are available upon request)

Stock capacities: 0.5", 0.75", 1", 1.5", 2", 2.5", 3", 4" (custom capacities are available upon request)

Standard Ring Metal configurations: Round ring & Angle-D ring. Each with 3 rings and opening/closing boosters. (custom metals are available upon request)

Printing: Screen & offset printing (offset printing, white material or frosted clear)



Where to sell binders?

- Event Planning Seminar materials
- Employee training manuals
- Home office filing system
- Corporate sales/training presentations
- Medical/Healthcare records
- Table menu covers
- Hotel guest information materials



Our binders are not only durable and attractive but can be made from reclaimed milk jugs. Our polyethylene post-consumer material is another way to set you apart from the competition. Go Green!

Product # 67483-1

100	250	500	1000	2500	5000
\$7.16	\$4.42	\$3.54	\$2.74	\$2.44	\$2.28 (p)

Pricing includes:

Stock Sheet size 11" x 8.5" with a 1" capacity
0.023 gauge stock color recycled Polyethylene
1 color imprint

Binders

The options are numerous when considering binders as your next presentation media. Binders may seem boring with no impact to your brand. We believe we offer so many unique options that binders go from boring to outstanding.



Our 'DS' 4CP offset printing is a great way to turn a plain binder into a fantastic presentation media. Using this printing method gives you photo quality images making this an outstanding product. 'DS' gives you up-scale printing that is easy on the pocket.

Product # 103720-1

500	1000	2500	5000
\$10.16	\$6.70	\$4.32	\$3.24 (p)

Pricing includes:

Stock Sheet size 11" x 8.5" with a 0.5" capacity
0.023 gauge Polyethylene white
4CP offset printing



- Custom painted ring metals
- Sheet lifters
- Various standard and custom heat sealed pockets
- **ProFuse™** - a NEW process where we "fuse" two thinner gauges that have been offset printed together making the end poly product heavier in gauge.



Index Tabs

Index tabs are a functional product for keep your material organized. Index tabs can be used in several of our products like, binders, tote boxes, Conformer® envelopes, FlipFile™ and others. Tabs can be functional and eye-catching with great graphics.



Where to sell tabs?

- Event Planning Seminar materials
- Employee training manuals
- Home office filing systems
- Corporate sales/training presentations
- Medical/Healthcare records
- Table menus
- Hotel guest information materials



DS Tabs are not limited to the tab extension when printing. Why not use our 'DS' 4CP printing process so your tabs are a part of your overall presentation?

Product # 65371-2

250	500	1000	2500	5000
\$6.66	\$4.38	\$3.12	\$2.40	\$2.10 (p)

Pricing includes:

- Stock size 11.5" x 8.5" with 0.5" tab extension
- Set of 1/3 cut tabs (pricing per set)
- 0.015 gauge white polyethylene
- 4CP offset printing - CMYK only



Simple imprinted tabs can be enhanced with our unique colors of polyethylene milk jug material. You'll be making a statement using a great trend material color and putting less trash in a land-fill.



- Materials:** Polyethylene, Polypropylene & Recycled Polyethylene
- Material colors:** stock opaque & stock clears
- Material thickness:** 0.015 - 0.023 gauge
- Stock Sizes:** 11.5" x 8.5" + 0.5"; 9" x 5.5" + 0.5"
- Stock Tab configurations:** 1/2 cut, 1/3 cut, 1/4 cut, 1/6 cut
- Printing:** Screen & offset printing
- 3 hole punching** is standard on all tabs
- Tabs available in **portrait or landscape**

License Plates

Get free advertisement using license plates. Our plates can be used not only for car dealers, but for any organization wanting to promote themselves.



Need photo quality graphics to enhance your plate message?

Using our white 0.015, 0.023 or 0.030 gauge polyethylene, we can take stunning images and print them using our 4CP offset printing process. With great graphics on the your license plate your message will make a great first impression.



Product # 43051-9

250	500	1000	2500	5000
\$1.15	\$0.88	\$0.77	\$0.68	\$0.65 (p)

Pricing includes:

- Sheet size 6" x 12"
- 0.023 gauge white polyethylene
- 4CP offset printing - CMYK only
- 4 standard round holes



- Materials:** Polyethylene
- Material colors:** stock opaque
- Material thickness:** 0.015, 0.023, 0.030 & 0.055 gauge
- Stock Sheet Sizes:** 6" x 12"
- Printing:** Blank plates, screen printing & offset printing
- Die cut holes:** Standard round holes. Oval holes available with an additional fee



Where to sell license plates?

- Corporate branding
- School booster clubs
- Auto dealerships
- Fundraisers
- Community Organizations
- Local financial organizations



Two-Piece Covers

There are many companies that provide imprinted two-piece cover sets, but none like we do. We can turn a so-so bound presentation into something that makes your marketing image stand out.



Where to sell these 2 pc covers?

- Student agendas
- Event planning meeting notes
- Employee handbooks
- Promotional/Corporate Datebooks
- Project Planning books
- Specialty Presentations
- Hotel Guest information books

ds

We are the only manufacturer that can print custom 4-color process offset cover in small quantities and at a great price.

Product # 101626-8

250	500	1000	2500	5000
\$3.18	\$1.98	\$1.34	\$1.02	\$0.90 (p)

Pricing includes:

- Stock Set size 11" x 8.5" with square corners
- 0.015 gauge white polyethylene
- 4CP offset printing - CMYK only
- No punching

2nd Green Product

Here is a Green idea - we can use our polyethylene recycled milk jug material and then you order the printed contents from your paper vendor with recycled paper. Now you have a complete product that is Green.



Materials: Polyethylene, Polypropylene & Recycled Polyethylene

Material colors: stock opaque, stock clears, custom PMS color match

Material thickness: 0.015 - 0.023 gauge

Stock Sizes: 8.5" x 5.5"; 11" x 8.5"; 11" x 9"; 11.25" x 8.25"

Stock Punching: Wiro Punching (3:1), GBC 19 Hole or ProClick

(It is recommended that your vendor producing the paper contents punch the poly covers for proper alignment)

Printing: Screen printing & offset printing (offset printing only available in white polyethylene or clear frost polypropylene)

Cover options: 3 hole punching, round cornering, 1.75" x 4.75" die cut window

Internal Contents: *We do not supply the internal contents for your bound presentation. We can supply names of qualified vendors.*

General Information

Custom Decoration:

All pricing is based on the customer providing workable, digital files or camera ready artwork. Charges WILL be incurred for corrections, typesetting, creating or altering files. You will be notified of any and all additional charges before any work is done to the art.

Scans - 3 free scans, additional scans are \$23.50 (v) each.

Copy Changes - \$81.25 (v) each. Numerous copy changes could impact your lead-time.

Ink Color Changes - \$25.00 (v) each. Numerous color changes could impact your lead-time.

Proofs: (Product lead-times begin after receipt of art and approved proofs)

PDF Proof - \$18.75 (v) each. A digital proof may be emailed to the customer or sent to their FTP site.

Ink Swatch - \$31.25 (v) per color. Ink draw down of the color wanted, hand swatched onto the poly that will be used. We will match to PMS coated unless otherwise specified.

Screen Proof - \$125.00 (v) per color. An actual sheet of the poly ordered with the artwork screen or offset printed onto it.

Hand Cut Sample - \$62.50 (v) each. An actual sheet of the poly ordered, CAD-cut and assembled (where applicable), using the die drawing of the die that will be used to cut the job in production.

Production Information:

Normal shipping is 15 working days after receipt of approved artwork. Allow additional time if proofs are required. Rush deliveries are available at extra cost - please check with your representative.

Over and Under runs - Due to variance in manufacturing, we reserve the right to ship over or under as follows: 500 or less 10%. 501 or more 5%. If exact quantity is required add 10% to the cost of the product.

Ordering:

PO - A purchase order containing quantity and all necessary information must accompany each order.

Increase of Order - Any notification of increase received by factory will be treated as a separate order and billed accordingly, unless no work has been started on the original order.

Shipping:

Shipping of all products is FOB Crawfordsville, IN. Shipments under 7 cartons will be shipped FedEx ground. Shipments over 7 cartons will be shipped skid packed, collect by common carrier. Unless specified we will select carrier. We cannot be responsible for arrival dates, we can only promise a shipping day. Specify inside deliveries with order when necessary.

PrePaid Freight - When the factory is requested to prepay freight and bill, a handling charge of 25% will be added to the freight charges.

Drop or Split Shipments - We will drop ship directly to your customer. Split shipment charge of \$15.00 per drop ship net after first shipment. We will bill order complete at the time of first shipment and will not hold merchandise for over 2 months.

Freight Claims - Legal responsibility passes from us to the customer when the merchandise is consigned to a carrier. Damage to merchandise incurred during shipping and/or merchandise lost in transit are the responsibility of the consignee who must file the freight claim. As the shipper, we cannot allow any credit for lost or freight damaged merchandise. We will assist in supplying any information that will be helpful in filing your freight claim.

Returns - Return shipments will not be accepted without authorization from the factory. No returns on custom imprinted merchandise. No returns allowed after 30 days from the date of invoice.

Shortage - All shortages must be reported in writing within 10 days of receipt of order.

Miscellaneous:

Prices and specifications are subject to change without notification.

Cancellations - A minimum of \$18.75 (v) is canceled before order has been processed. After processing there will be a \$31.25 (v) charge plus any costs incurred up to the time of cancellation.

Guarantee - Merchandise is guaranteed to be free from defective workmanship or material. Defective merchandise should be reported immediately. No claims after 30 days from receipt of merchandise will be honored.

Terms - Net 30 days. A service charge of 1.5% per month (18% per annum) will be added to all balances over 30 days past due.

Credit Cards Accepted:



We grow your business with unique plastic packaging. Our plastic packaging offers more variety, low minimums, competitive pricing and made in the USA. Our products can be used in numerous market applications and can be custom tailored to your specific application. We want to help grow your bottom line with useful and unique plastic packaging.

